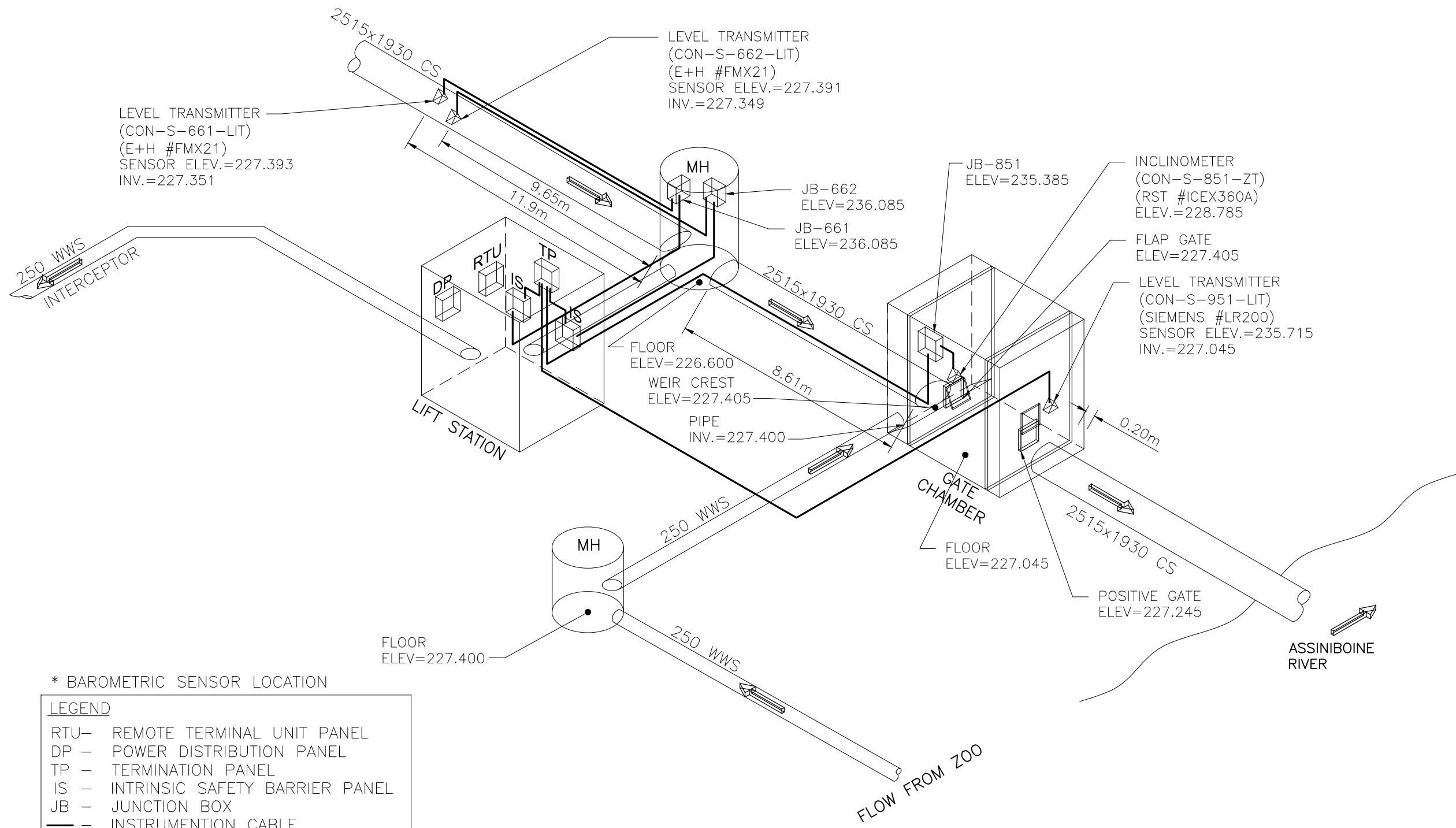


\\CD1201-F02\work\_group\1112\active\111213650\0300\_drawing\305\_record\sheet\_files\electrical\Conway (Moorgate)\13650e-1701-con.dwg  
 2013/08/22 9:35 AM By: Bekker, Kyle



\* BAROMETRIC SENSOR LOCATION

LEGEND	
RTU	REMOTE TERMINAL UNIT PANEL
DP	POWER DISTRIBUTION PANEL
TP	TERMINATION PANEL
IS	INTRINSIC SAFETY BARRIER PANEL
JB	JUNCTION BOX
—	INSTRUMENTATION CABLE
FT	FLOW METER TRANSMITTER
○	FLOW METER SENSOR
▽	LEVEL TRANSMITTER, INCLINOMETER

**METRIC**  
 WHOLE NUMBERS INDICATE MILLIMETRES  
 DECIMALIZED NUMBERS INDICATE METRES

**APEGM**  
 Certificate of Authorization  
 Stantec Consulting Ltd.  
 No. 1301

CONSTRUCTION COMPLETION DATE - FEBRUARY 2013

LOCATION APPROVED UNDERGROUND STRUCTURES	
SUPV. U/G STRUCTURES COMMITTEE	DATE

NOTE:  
 LOCATION OF UNDERGROUND STRUCTURES AS SHOWN ARE BASED ON THE BEST INFORMATION AVAILABLE BUT NO GUARANTEE IS GIVEN THAT ALL EXISTING UTILITIES ARE SHOWN OR THAT THE GIVEN LOCATIONS ARE EXACT. CONFIRMATION OF EXISTENCE AND EXACT LOCATION OF ALL SERVICES MUST BE OBTAINED FROM THE INDIVIDUAL UTILITIES BEFORE PROCEEDING WITH CONSTRUCTION.

B.M. ELEV.			
E	REVISED AS-BUILT DRAWING	13.07.24	S.T.
D	AS-BUILT DRAWING	13.05.31	S.T.
C	ISSUED FOR CLIENT REVIEW	13.04.15	J.C.
B	ISSUED FOR CLIENT REVIEW	13.03.21	J.C.
A	ISSUED FOR CLIENT REVIEW	12.07.13	J.C.
NO.	REVISIONS	DATE	BY

**Stantec Consulting Ltd.**  
 905 Waverley Street, Winnipeg, Manitoba  
 Tel 204-489-5900 Fax 204-453-9012

DESIGNED BY	S.T.	CHECKED BY	J.C.
DRAWN BY	B.W.	APPROVED BY	J.C.
HOR. SCALE:	N.T.S.	RELEASED FOR CONSTRUCTION:	
VERTICAL:		DATE	

ENGINEER'S SEAL

S. TREBIC  
 MEMBER 21332  
 REGISTERED PROFESSIONAL ENGINEER

CONSULTANT DRAWING NO. E-1701

**THE CITY OF WINNIPEG**  
 WATER AND WASTE DEPARTMENT

**CSO OUTFALL MONITORING**  
 CONWAY STREET  
 3D ISOMETRIC PLAN

SHEET 1 OF 2
CAD FILE DRAWING NUMBER 13650e-1701-con.dwg
CITY DRAWING NUMBER I-0131-A-A0202-001-00